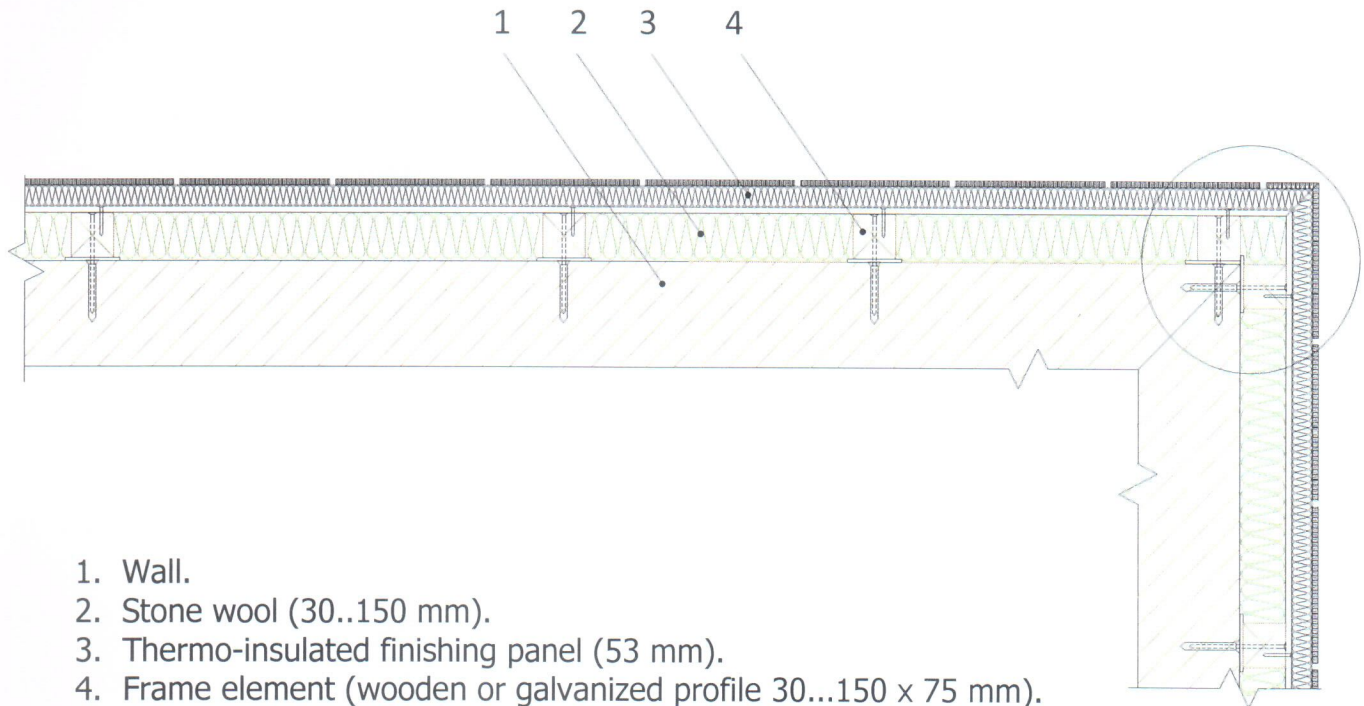
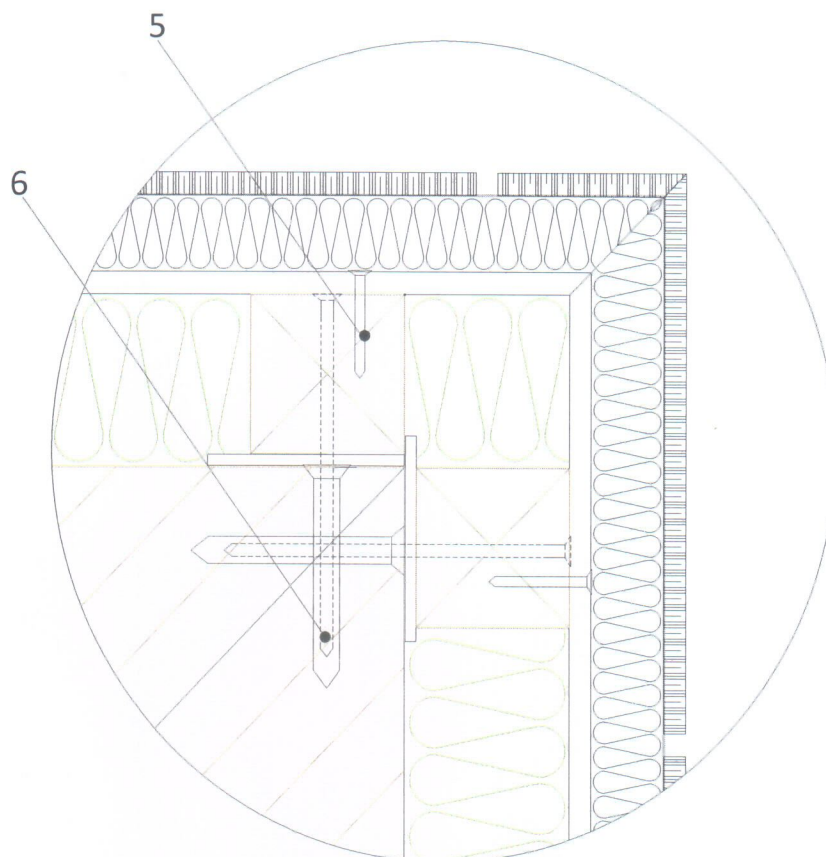


- the production of thermoinsulation panels, the decoration and insulation of buildings
- the production and construction of various log buildings
- building's insulation with polyurethane foam and instaling of techinal isolation

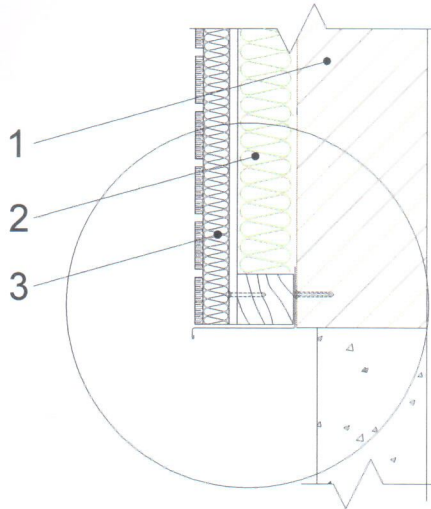
## Corner wall mounting



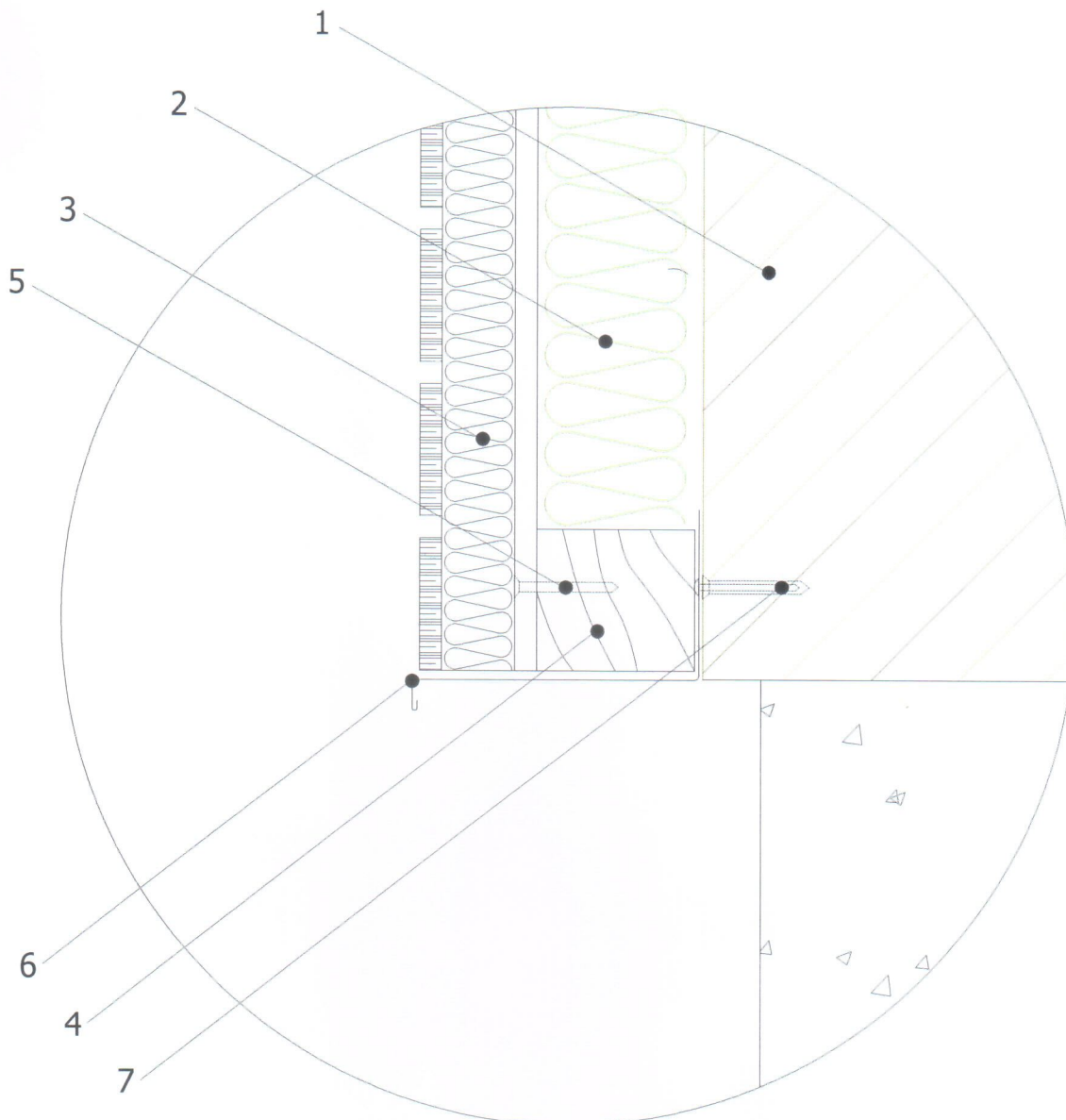
1. Wall.
2. Stone wool (30..150 mm).
3. Thermo-insulated finishing panel (53 mm).
4. Frame element (wooden or galvanized profile 30...150 x 75 mm).
5. Panel mounting screw (4,5 x 50 mm).
6. Screw with nylon plug for frame element mounting (10 x 100...140 mm).



## Thermo-insulated finishing panel ending beside base

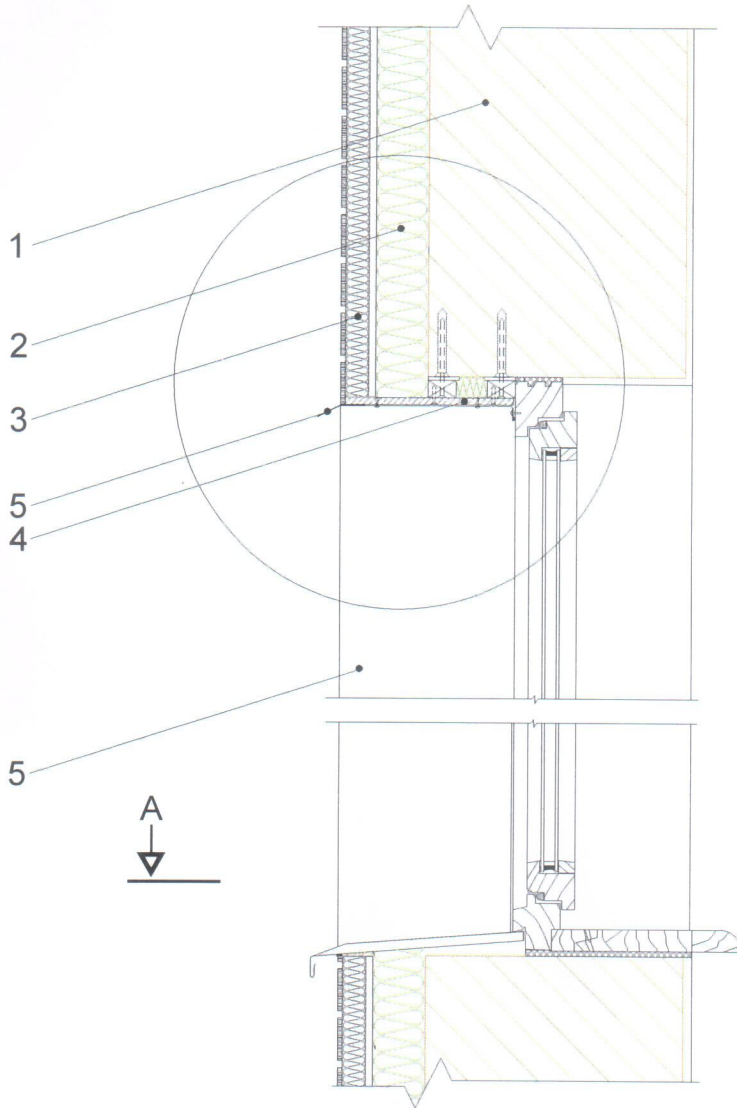


1. Wall.
2. Stone wool.
3. Thermo-insulated finishing panel (53 mm).
4. Horizontal frame element (wooden or galvanized profile 30...150 x 75 mm).
5. Panel mounting screw (4,5 x 50 mm).
6. Bended tin plate.
7. Screw with nylon plug for bended tin plate mounting (4,5 x 50 mm).



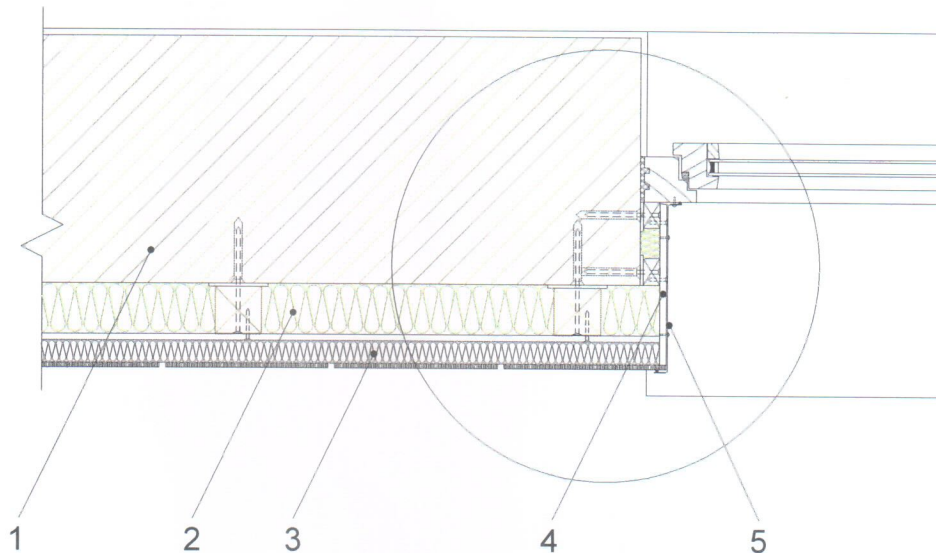
- the production of thermoinsulation panels, the decoration and insulation of buildings
- the production and construction of various log buildings
- building's insulation with polyurethane foam and instaling of techincal isolation

## Insulation of side opening with bended tin plate



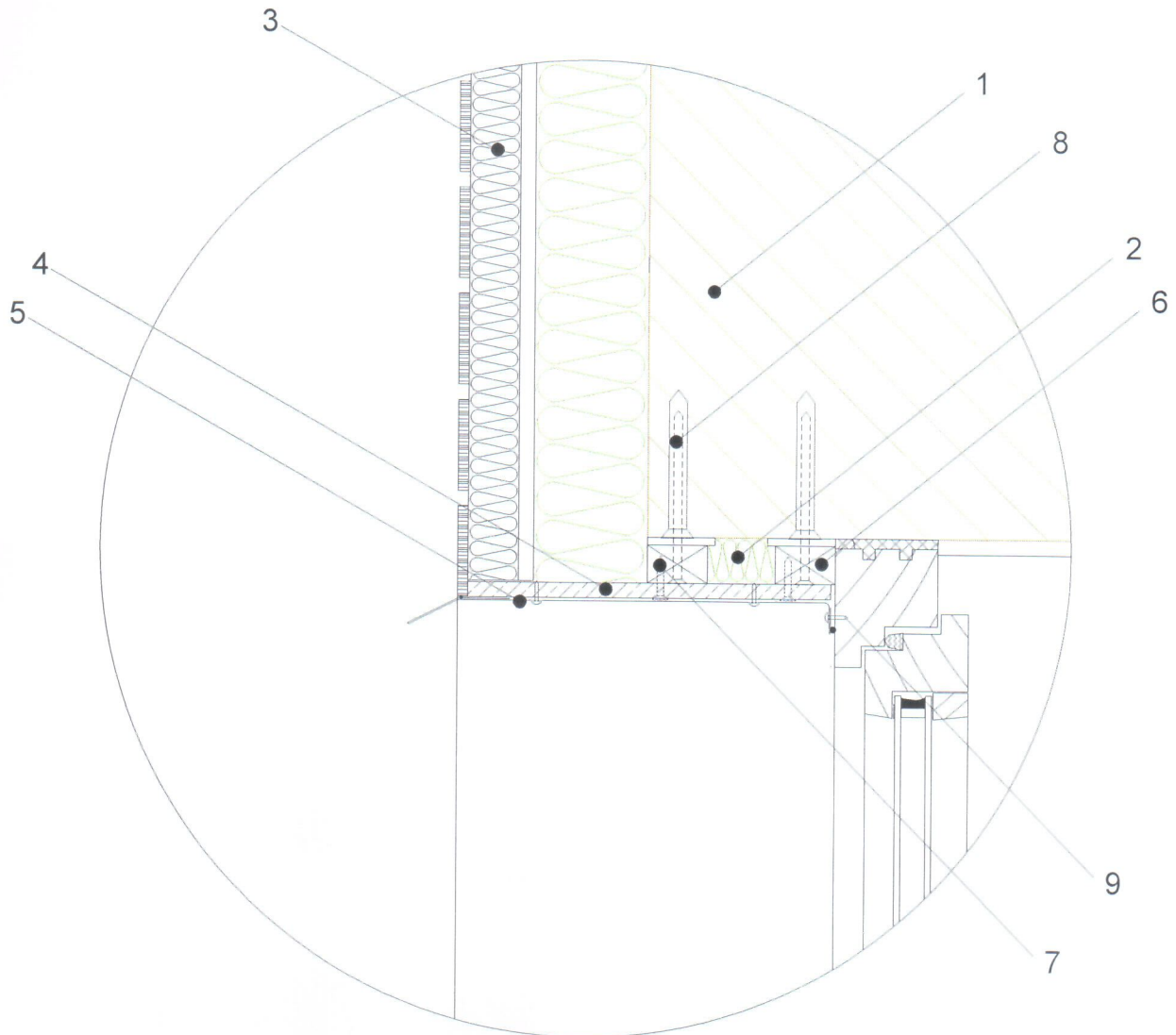
1. Wall.
2. Stone wool (30 ...150 mm).
3. Thermo-insulated finishing panel (53 mm).
4. Cement particle board (10 mm).
5. Bended tin plate.

A - A



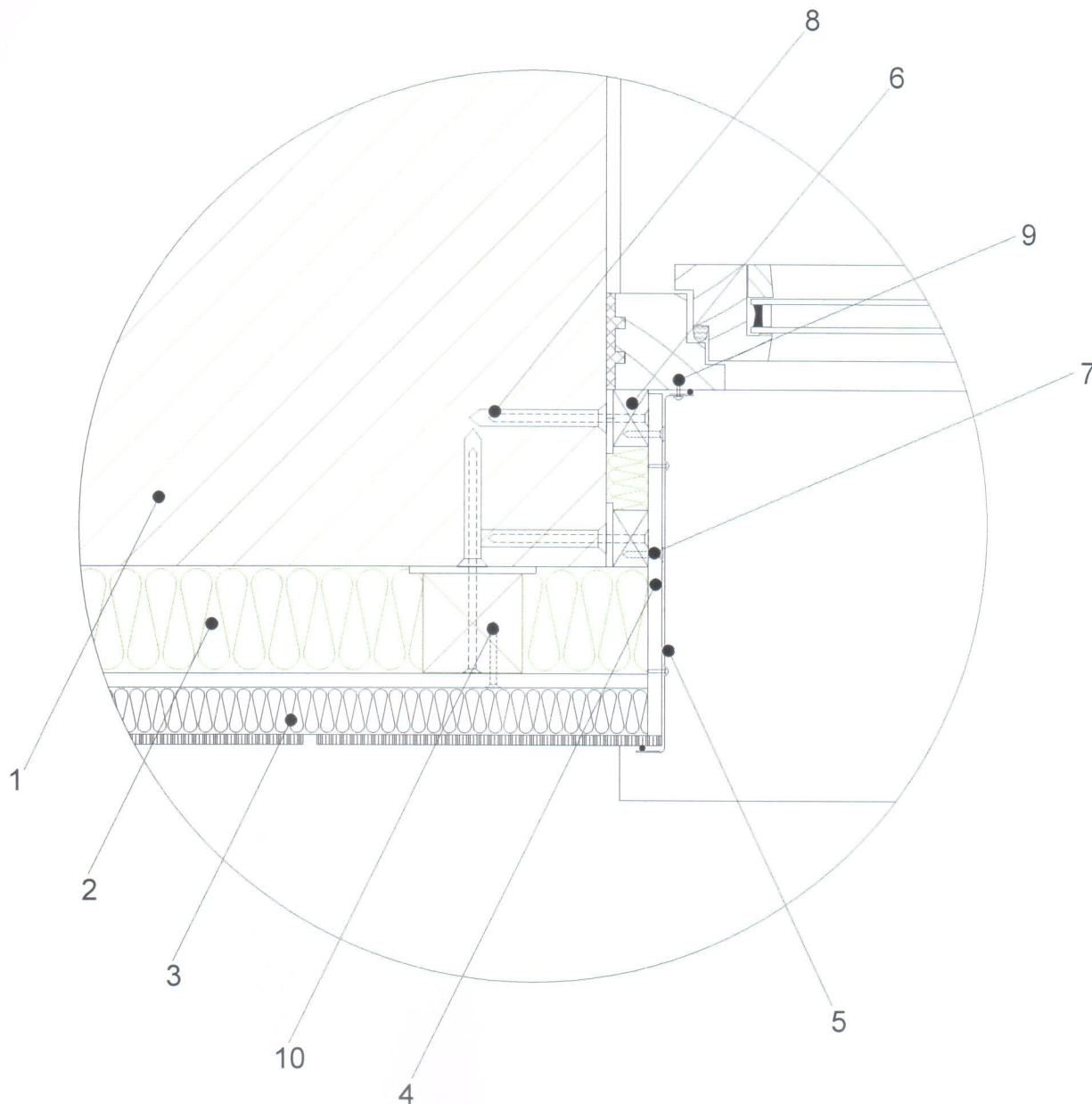


## Insulation of side opening with bended tin plate



1. Wall.
2. Stone wool (30..150 mm).
3. Thermo-insulated finishing panel (53 mm).
4. Cement particle board (10 mm).
5. Bended tin plate.
6. Frame element (wooden or galvanized profile 30...150 x 75 mm).
7. Panel mounting screw (4,5 x 50 mm).
8. Screw with nylon plug for frame element mounting (10 x 100...140 mm).
9. Screw for bended tin plate mounting (2 x 19 mm).

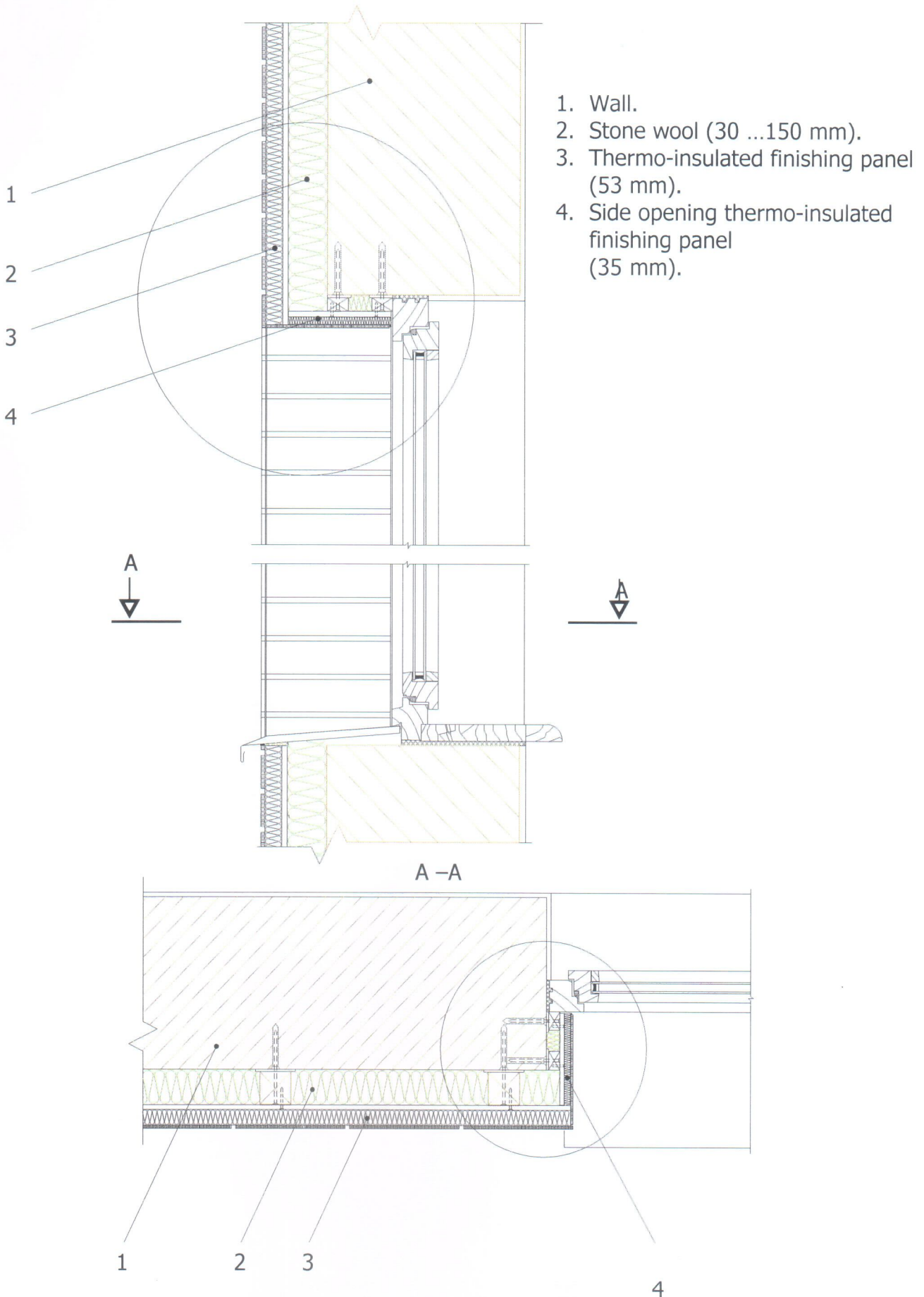
## Insulation of side opening with bended tin plate



1. Wall.
2. Stone wool (30..150 mm).
3. Thermo-insulated finishing panel (53 mm).
4. Cement particle board (10 mm).
5. Bended tin plate.
6. Frame element (wooden or galvanized profile 30...150 x 75 mm).
7. Panel mounting screw (4,5 x 50 mm).
8. Screw with nylon plug for frame element mounting (10 x 100...140 mm).
9. Screw for bended tin plate mounting (2 x 19 mm).

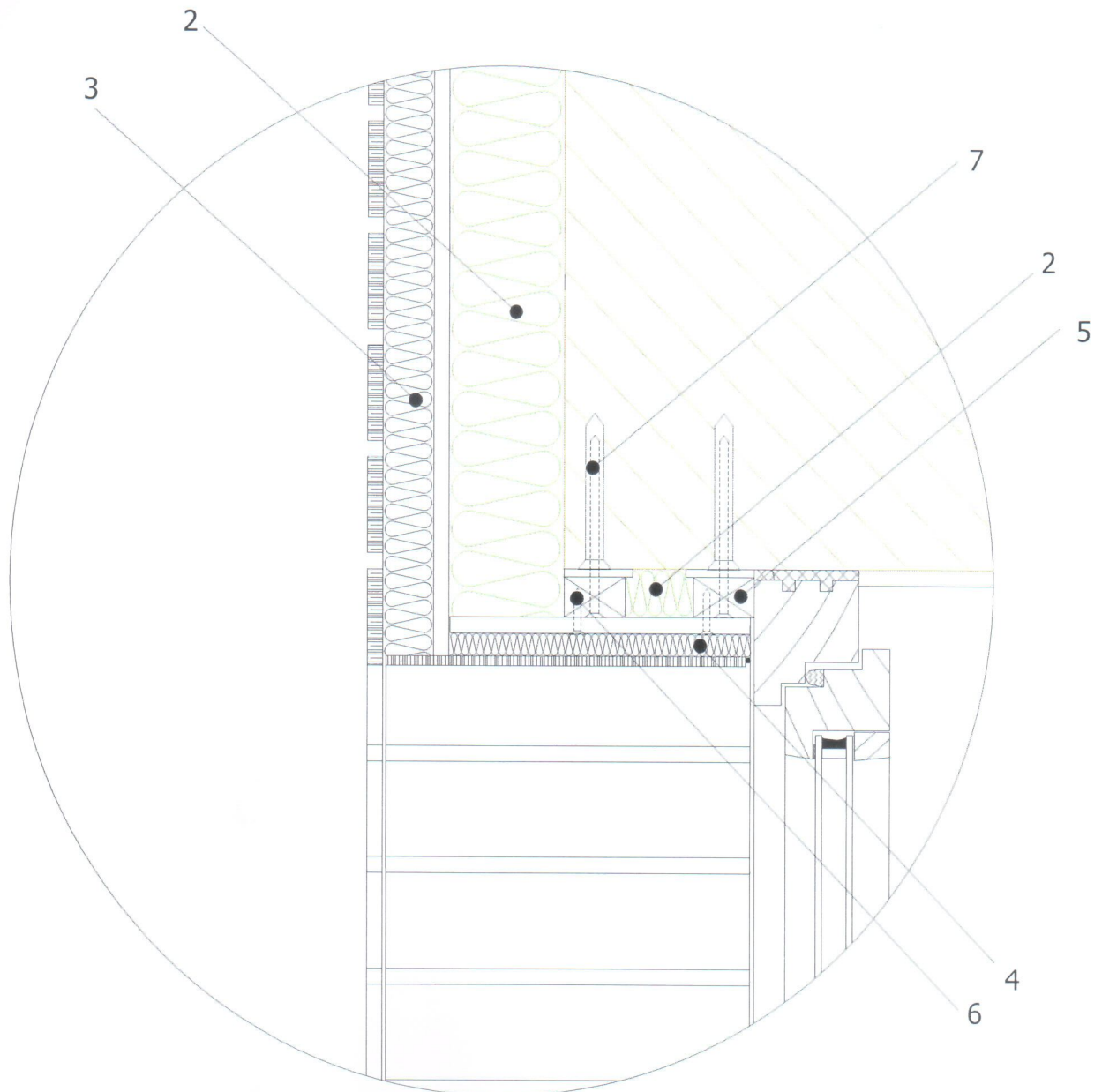
- the production of thermoinsulation panels, the decoration and insulation of buildings
- the production and construction of various log buildings
- building's insulation with polyurethane foam and instaling of techincal isolation

## Insulation of side opening with thermo-insulated finishing panel



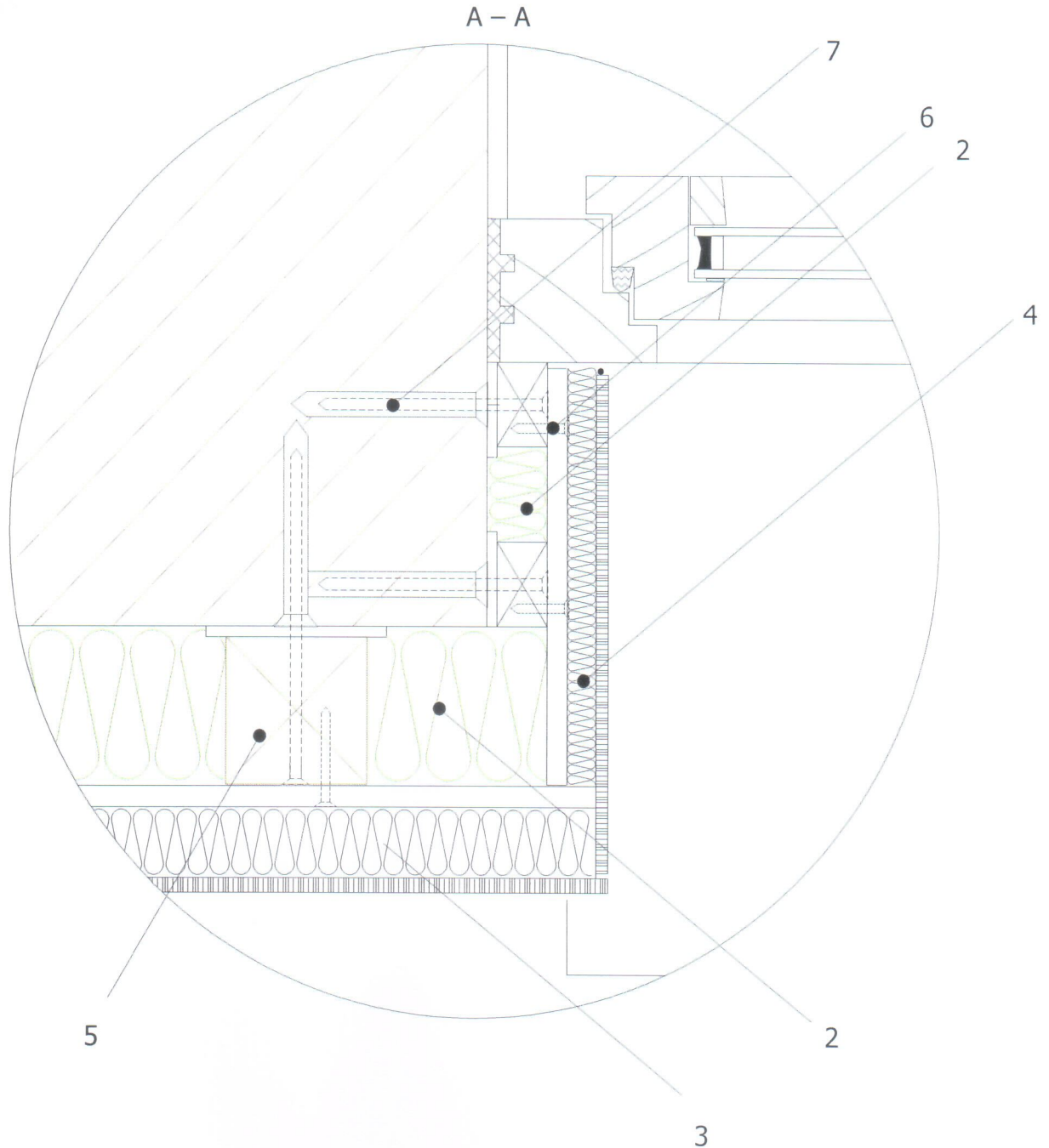


## Insulation of side opening with thermo-insulated finishing panel



2. Stone wool (30..150 mm).
3. Thermo-insulated finishing panel (53 mm).
4. Side opening thermo-insulated finishing panel (35 mm).
5. Frame element (wooden or galvanized profile 30...150 x 75 mm).
6. Panel mounting screw (4,5 x 50 mm).
7. Screw with nylon plug for frame element mounting (10 x 100...140 mm).

## Insulation of side opening with thermo-insulated finishing panel

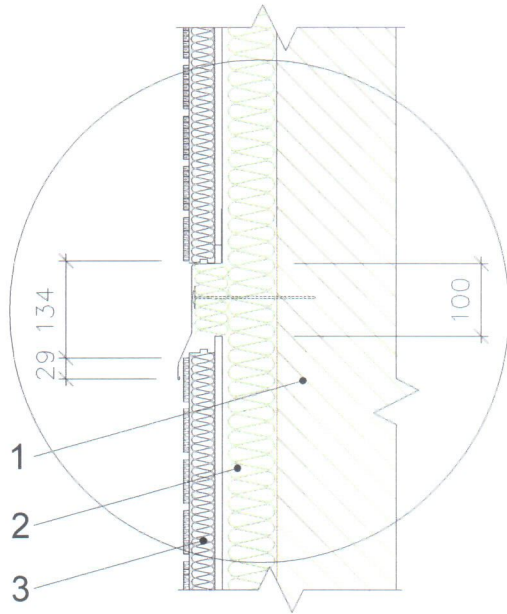


2. Stone wool (30..150 mm).
3. Thermo-insulated finishing panel (53 mm).
4. Side opening thermo-insulated finishing panel (35 mm).
5. Frame element (wooden or galvanized profile 30...150 x 75 mm).
6. Panel mounting screw (4,5 x 50 mm).
7. Screw with nylon plug for frame element mounting (10 x 100...140 mm).



- the production of thermoinsulation panels, the decoration and insulation of buildings
- the production and construction of various log buildings
- building's insulation with polyurethane foam and instaling of technical isolation

## Deformation seam fire



1. Wall.
2. Stone wool.
3. Thermo-insulated finishing panel (53 mm.)
4. Bended tin plate.
5. Stone wool mounting plug.

